

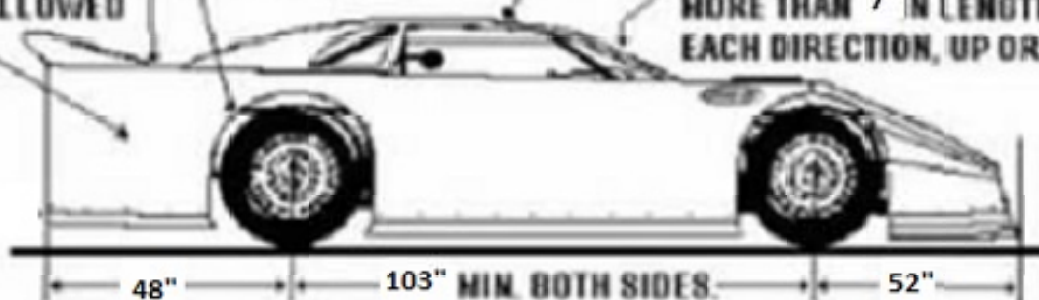
DECK MUST BE FLAT 32" FORWARD FROM SPOILER RUNNING PARALELL TO GROUND. 1" TOLERANCE GIVEN.

2" MINIMUM CLEARANCE AROUND ALL WHEELS. ZERO TOLERANCE!

ROOF MUST BE CURVED. NO WEDGE OR FLAT ROOFS WILL BE ALLOWED.

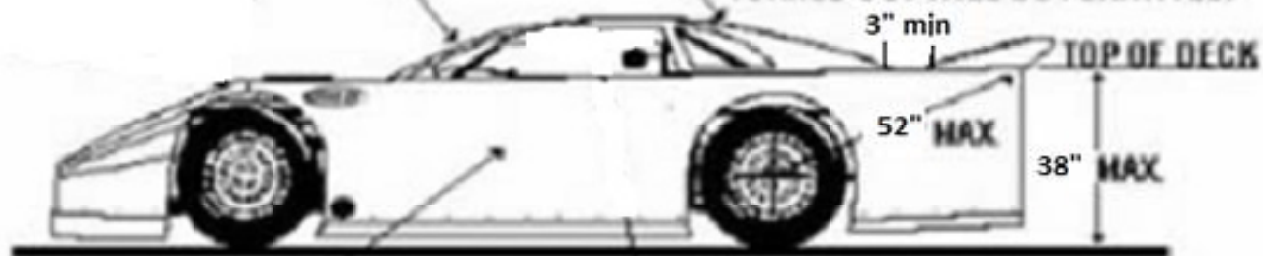
NO "DISHING" WILL BE ALLOWED ON QUARTER PANELS. MUST REMAIN FLAT.

WINDOW SUPPORTS MAY BE NO MORE THAN 7" IN LENGTH IN EACH DIRECTION, UP OR BACK.



ROOF POSTS 4" WIDE MAX.

ROOF SUPPORTS MUST CONNECT TO THE DECK AS SHOWN. NO LIPS TURNED OUT WILL BE PERMITTED.



DOOR MATERIAL INCLUDING SKIRT, 33" MAX, TOP TO BOTTOM, BOTH SIDES.

Maximum Spoiler Size 8" x 72"

TOP OF DOORS

37" Max

76" Max

72" Max

IF ALUMINUM ANGLE IS USED TO BRACE TOP OF SPOILER, IT MUST BE TURNED DOWN, NOT ADDING TO THE HEIGHT OF THE SPOILER IN ANY WAY.

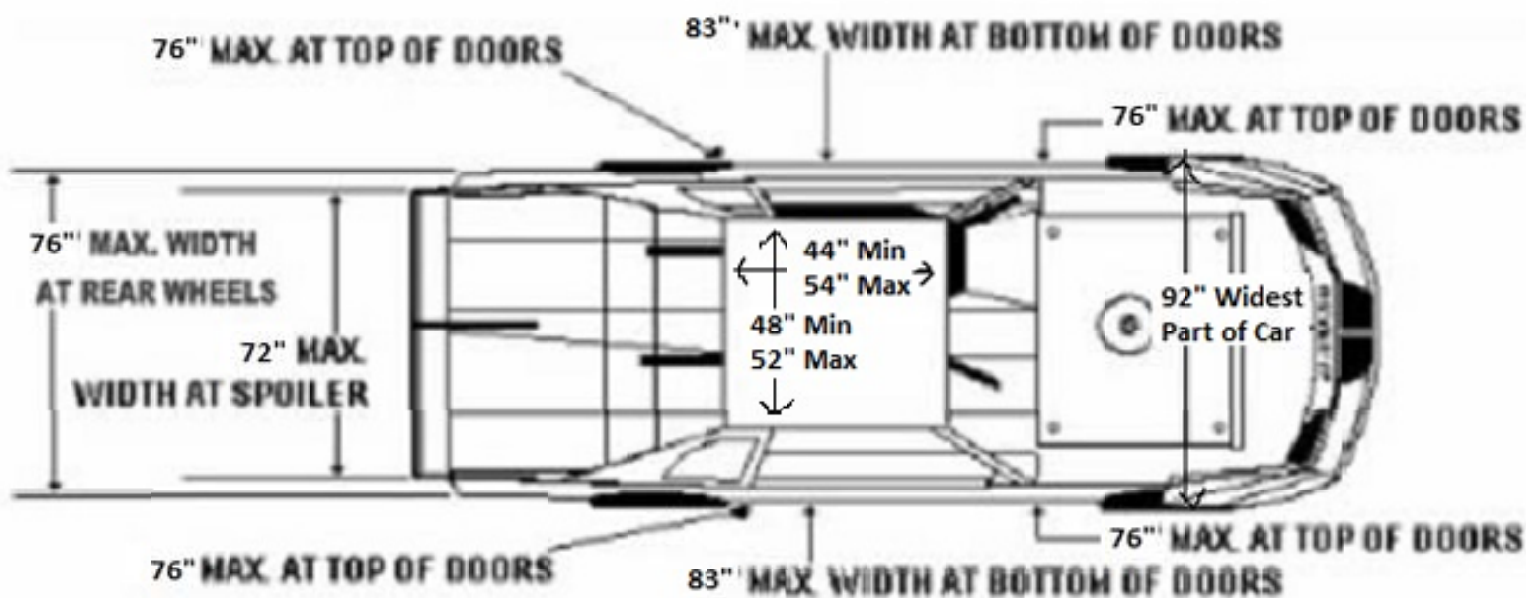
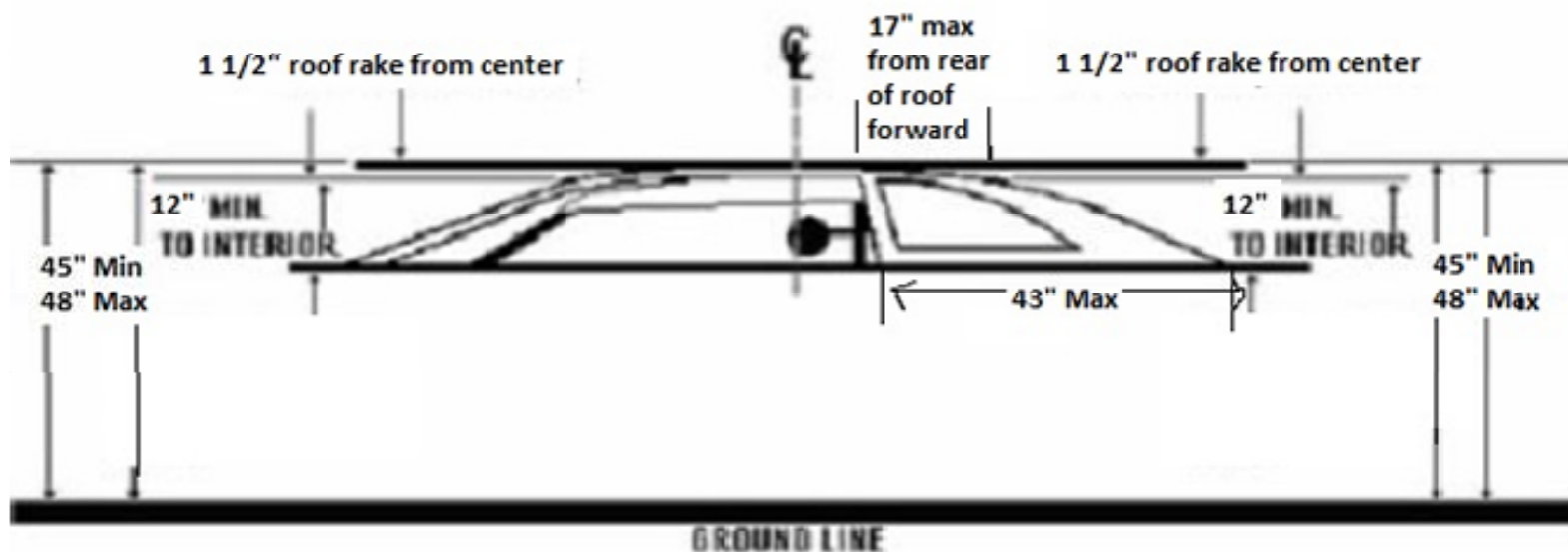
HIGHEST POINT (CENTER) REFER TO ROOF SPECS.

45" Min
48" Max

A THIRD SPOILER BRACE MAY BE USED AND WILL MATCH

76" Max

NO "WINGS" OR "TUNNELS" OF ANY KIND ALLOWED UNDERNEATH



3 Spoiler Supports (Max.) May Be Used

2" Minimum Radius

